

# DDC



## Incomatic Incontinence Pad & Nappy Macerator

The DDC Incomatic Nappy + Pad macerator presents a convenient and hygienic means of disposing of incontinence pads and nappies quickly and efficiently.



# Redefining Infection Control

Tackling potentially embarrassing issues like incontinence quickly and effectively is important to maintaining high levels of care and the dignity of the patient or care home resident involved.

The DDC Dolphin Incomatic macerator presents a convenient and hygienic means of disposing of incontinence pads and nappies quickly and efficiently, giving your staff more time to care for their patients.

In a fast 2-minute cycle, specially designed cutting technology ensures incontinence products are shredded into fine particles and then discharged into the sewerage system.

A post-maceration chemical clean option for the inside of the chamber is also available.



**DDC Dolphin's range of Macerators underpin the infection control strategy of thousands of facilities around the world.**

## Key Benefits

- Reduce cross contamination of infectious materials and minimise the risk of ward outbreaks, keeping staff and patients safe.
- Versatile unit can be used in various environments, be it a dirty utility room or a private patient room.
- Reduce hospital budget spend with low operating costs and prevention of ward shutdowns due to infections.
- Incontinence products are disposed of immediately and efficiently, meaning no mess and no smell.

# Pulpmatic Ultima Features

## Automatic drain flush



Can be programmed during low use times to limit the build-up of stagnant water and remove the possibility of Legionnaires' disease.

## Continuous, free-flowing output of waste to drain



Ensuring thorough removal of waste.

## Advanced blade technology



Shreds incontinence products into fine particles, ensuring all waste is eliminated.

## High quality materials and components



Crevice-free surfaces to minimise trapped bacteria.



## Antimicrobial surfaces

Minimise cross infection and reduce the possibility of microbial growth.



## Flexible capacity

Can dispose of 1 large or 2 small maceratable nappies or pads in a rapid 120 second cycle - saving clinicians time.



## Optional programmable audio\*

Language specific to ensure correct and proper use by staff.



## Completely hands-free, no touch operation

Reducing infection risk for clinicians and patients.



\*Optional feature. Available in various languages—contact our team for more information.



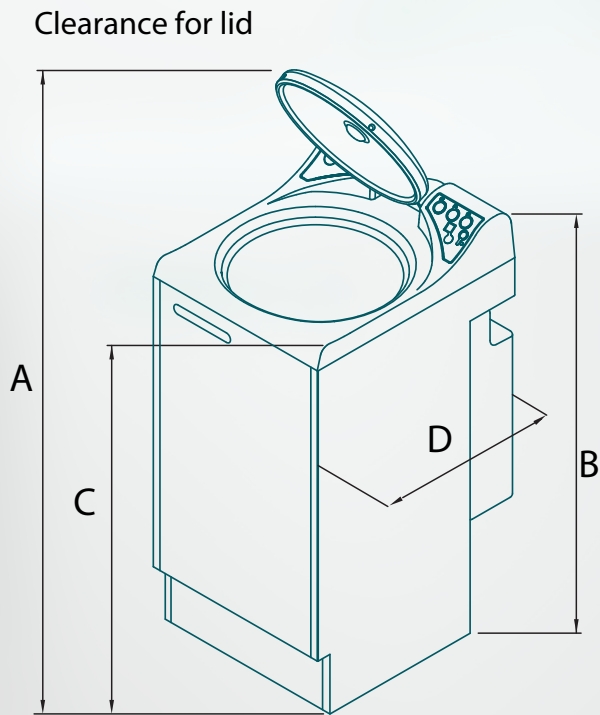


# Technical Specifications

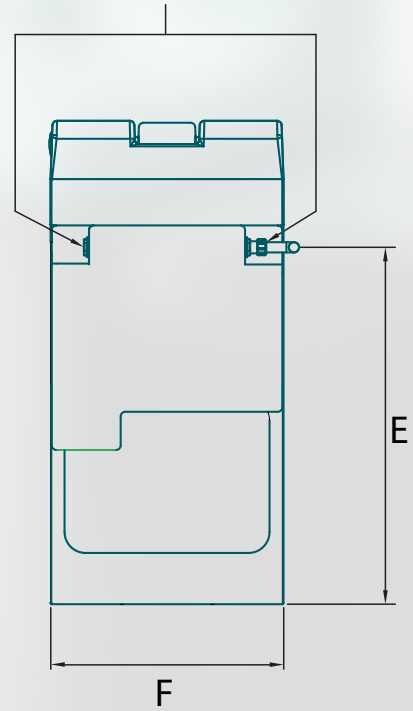
GENERAL	
<b>Stainless Steel grade:</b>	304
<b>Weight (Machine Only):</b>	Dry 104kg Wet 128kg
<b>Capacity:</b>	1 large or 2 small maceratable nappies
<b>Ingress protection:</b>	IP22
<b>Operation cycle time:</b>	120 seconds
<b>Decibel rating:</b>	<70 dba
DISINFECTION	
<b>Recommended chemical:</b>	Aqua Clean
<b>Chemical dosing per cycle:</b>	13ml (adjustable to suit efficacy requirements)
ELECTRICAL	
<b>Single phase voltage:</b>	230V / 50Hz with dedicated 13A breaker
<b>230V / 50Hz with dedicated 13A breaker:</b>	415V / 50 Hz 3Ph + Neutral, 16A breaker
<b>Rated power input:</b>	2.6kW
<b>Electrical consumption per cycle:</b>	0.033kWh
<b>Motor power:</b>	2.2kW
<b>Pump power:</b>	0.345kW
Water	
<b>Water connection:</b>	3/4" BSP male fitting required (washing machine hose)
<b>Water pressure:</b>	Cold Water supply pressure 1-6
<b>Water flow rate (Min):</b>	12L per minutes at 1 bar
<b>Water tank capacity:</b>	24L
<b>Water consumption per cycle:</b>	26.7L
<b>Waste connection:</b>	50mm ID (2") Pushfit
<b>Overflow connection:</b>	22mm
<b>Waste Height:</b>	160mm to 220mm - See Installation Preparation Guide for full details.

\*Specifications correct at time of print

# Dimensions



Overflow output can be connected to left or right of the machine



	Milimeters
A	1500 ±3
B	1042 ±3
C	960
D	600
E	766
F	500

# DDC



Certificate Number 1151  
9001/14001



+44 (0) 1202 731 555

INFO@DDCDOLPHIN.COM

DDCDOLPHIN.COM