

# DDC



## Panamatic Midi Bedpan Washer Disinfector

A bedpan washer offers a fast, reliable, and cost-effective solution for disposing of hazardous human waste, significantly improving efficiency over traditional hand-washing methods while minimising clinicians' exposure to harmful pathogens.



[DDCDOLPHIN.COM](http://DDCDOLPHIN.COM)

# Redefining Infection Control

Our range of washer disinfectors have been developed over decades to provide you with a fast and safe human waste disposal system with passive safety measures to minimise the risk of infection.

Designed to empty, wash and disinfect plastic or stainless steel human waste containers such as bedpans, commode pots and urine bottles, as well as washbowls, our bedpan washer disinfectors incorporate the latest technological advances.

Performing a cold wash followed by thermal disinfection the Panamatic Midi is a versatile bedpan washer with large capacity to cope with high demand wards or care settings.



**DDC Dolphin's range of Panamatic Bedpan Washers underpin the infection control strategy of thousands of facilities around the world.**

## Key Benefits

- Reduce cross contamination of infectious materials and minimise the risk of ward outbreaks, keeping staff and patients safe.
- Incorporates the latest technological advances and able to achieve thermal disinfection levels in line with NHS periodic testing guidelines.
- Large capacity to suit high usage healthcare environments.
- High quality materials and components, including 304 grade stainless steel cabinet & chamber.

# Panamatic Midi Features



**Large capacity machine**  
Suit high usage environments.



**Chemical scale management system**  
Suitable for soft and hard water areas.



**Rapid cycle**  
Washing and disinfection cycle.



**Completely hands-free, no touch operation**  
Reducing infection risk for clinicians and patients.



**Top-loading**  
For a simple loading and emptying process.



**High quality materials and components**  
Smooth, crevice-free surfaces to minimise trapped bacteria.



**Antimicrobial surfaces**  
Minimise cross infection and reduce the possibility of microbial growth.



**Unique multi-utensil racking design**  
Extremely convenient with one rack to fit all standard bedpan sizes.



**Rotating wash nozzles and strategically sited spray jets**  
Ensure a superior wash performance.



**Cold wash cycle**  
For a thorough cleaning process prior to thermal disinfection.



**Optional programmable audio\***  
Language specific to ensure correct and proper use by staff.

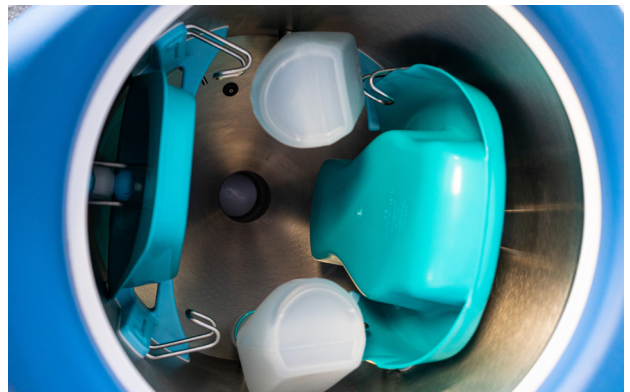


**Compact**  
Save space, making it suitable for all room types and sizes.



**Easy connection electrical supply**  
So you can connect and go!

\*Optional feature. Available in various languages—contact our team for more information.

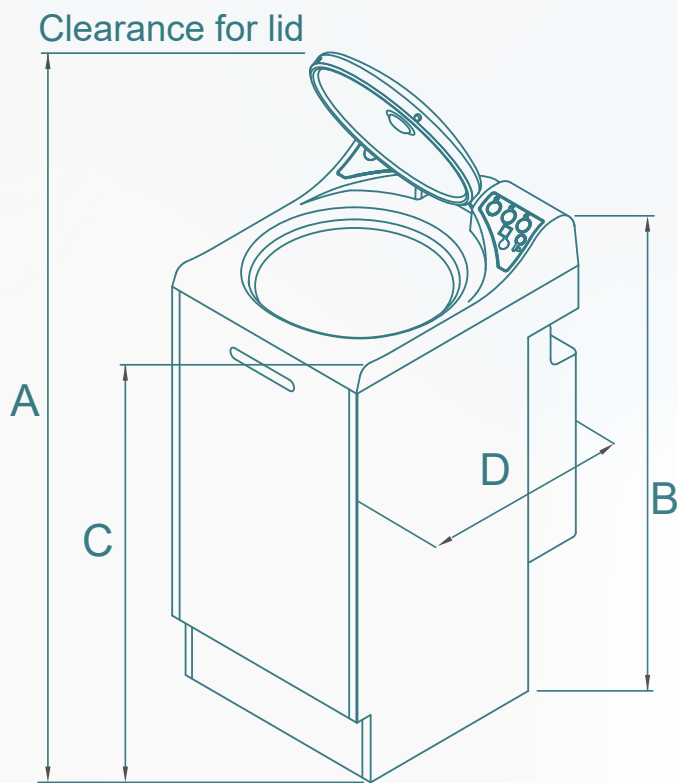


# Technical Specifications

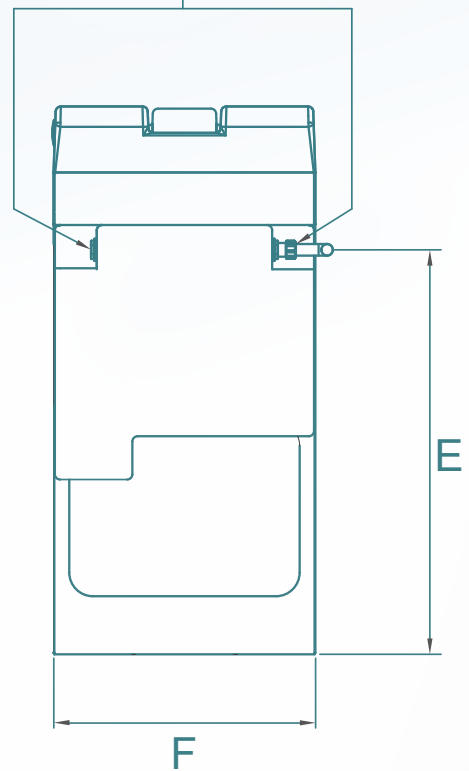
GENERAL	
<b>Stainless Steel grade:</b>	304
<b>Dimensions w x h x d (lid closed):</b>	500 x 1042 ±3 x 600mm
<b>Weight (Machine Only):</b>	Dry 71.5kg Wet 91.5kg
<b>Capacity:</b>	2 pots + 2 urine bottles
<b>Ingress protection:</b>	IP22
<b>Operation cycle time:</b>	Approx 8 minutes
<b>Decibel rating:</b>	<70 dba
CHEMICAL SYSTEM	
<b>Recommended chemical:</b>	Aqua Shield
<b>Chemical dosing per cycle:</b>	40.5ml (adjustable to suit water hardness conditions)
ELECTRICAL	
<b>230V Voltage:</b>	230V / 50Hz with dedicated 13A breaker
<b>Circuit protection (230 Voltage):</b>	30mA EPD / GFEP / EGFPD, EN 60947-2
<b>Rated power input:</b>	2.55kW
<b>Electrical consumption per cycle:</b>	0.275kWh
<b>Steam generator power:</b>	2.5kW
<b>Pump power:</b>	0.75kW
Water	
<b>Water connection:</b>	3/4" BSP male fittings required (washing machine hose)
<b>Water pressure:</b>	Cold Water supply pressure 1 - 6 Bar
<b>Water flow rate (Min):</b>	12L per minute at 1 bar
<b>Water tank capacity:</b>	20L
<b>Water consumption per cycle:</b>	21.2L
<b>Waste connection:</b>	75mm ID (3") Pushfit
<b>Overflow connection:</b>	22mm
<b>Waste Height:</b>	160mm to 360mm - See Installation Preparation Guide for full details.

\*Specifications correct at time of print

# Dimensions



Overflow output can be connected to left or right of the machine



	Milimeters
A	1500
B	1042 ±3
C	960
D	600
E	766
F	500

# DDC



Certificate Number 1151  
9001/14001



+44 (0) 1202 731 555

INFO@DDCDOLPHIN.COM

DDCDOLPHIN.COM