

# DDC



## Pulpmatic Eco+ Medical Pulp Macerator

Designed to pulverise and dispose of both single-use medical pulp containers and human waste, DDC's range of PULPMATIC® bedpan macerators are the sluice room equipment of choice for thousands of healthcare facilities around the world.



[DDCDOLPHIN.COM](http://DDCDOLPHIN.COM)

# Redefining Infection Control

Medical Pulp Macerators provide a robust and hygienic solution for the complete disposal of human waste. The pulp container along with its contents can be placed inside the macerator without the need to wash or dispose of items elsewhere.

They are then quickly and effectively pulverised into tiny particles using advanced maceration technology and discharged directly into the main sewage system, meaning that any infectious materials can no longer come into contact with patients or clinicians.

The Pulpmatic Eco+ is our most economical and environmentally friendly machine to date. The next generation of maceration technology macerates waste even finer, uses less water and energy, and comes with advanced antimicrobial surfaces to prevent the spread of infections.

The Eco+ is suitable for medium capacity wards and care homes, capable of processing up to 4 pulp utensils in a rapid maceration cycle from 85 seconds.



**DDC Dolphin's range of Pulpmatic Pulp Macerators underpin the infection control strategy of thousands of facilities around the world.**

## Key Benefits

- Reduce cross contamination of infectious materials and minimise the risk of ward outbreaks, keeping staff and patients safe.
- Save clinicians' time and increase productivity by reducing the need for cleaning of reusable items.
- Versatile unit for medium demand areas, be it a dirty utility room or a private patient room.
- Reduce hospital budget spend with low operating costs and prevention of ward shutdowns due to infections.

# Pulpmatic Ultima Features



**Medium capacity machine**  
Suitable for general usage environments.



**Antimicrobial surfaces**  
To minimise cross infection and reduce the possibility of microbial growth.



**Rapid cycle**  
Less than 90 second cycle to dispose of up to 4 pieces of pulp.



**Advanced 9 blade technology**  
Pulverises pulp utensil into tiny particles, ensuring all waste is eliminated.



**Contactless technology**  
Reducing infection risk for clinicians and patients.



**Continuous, free-flowing output of waste to drain**  
Ensuring thorough removal of waste.



**Reduced water consumption**  
Programed to consume less water per cycle to save both the environment and your facility's water bill.



**Compact**  
Save space, making it suitable for all room types and sizes.



**Various start options**  
To suit each facility's requirements, ranging from self to auto start.



**Graphical user interface**  
Providing animated operation instructions, cycle status information, as well as fault resolution guidance.



**Programmable audio**  
Language specific to ensure correct and proper use by staff.



**Pre- & post-maceration self-cleaning flush**  
To limit the residual build up within the waste pipe network and abolish blockages.



**Automatic drain flush**  
Can be programmed during low use times to limit the build-up of stagnant water and remove the possibility of Legionnaires' disease.

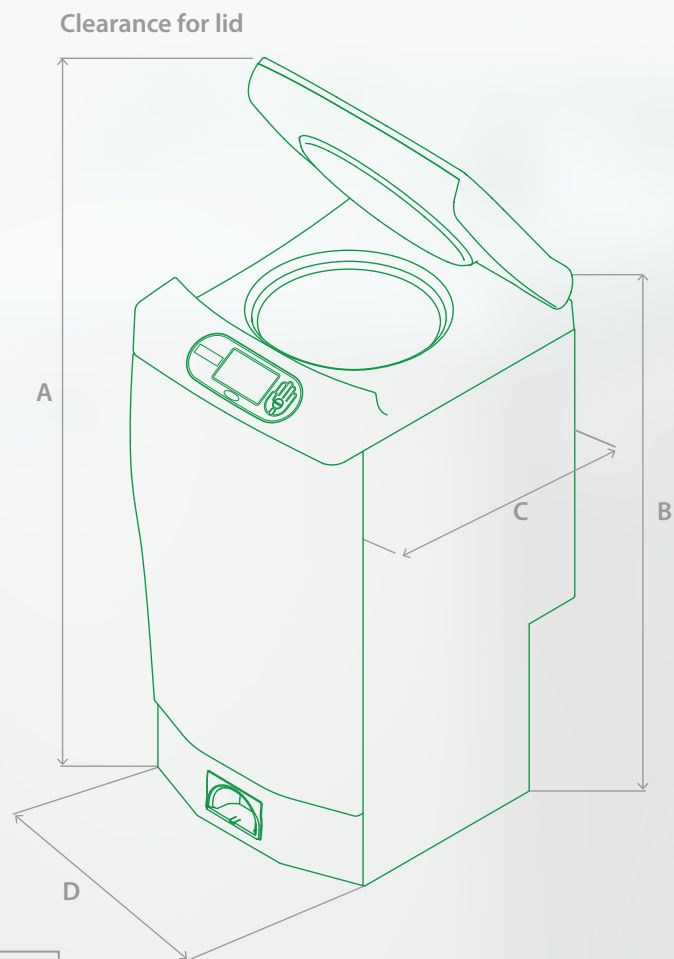


# Technical Specifications

GENERAL	
<b>Stainless Steel grade:</b>	304
<b>Dimensions w x h x d (lid closed):</b>	500 x 1040 ±3 x 623mm
<b>Weight (Machine Only):</b>	Dry 80kg Wet 94kg
<b>Capacity:</b>	Up to 4 pieces of medical pulp
<b>Ingress protection:</b>	IP22
<b>Operation cycle time:</b>	From 85 seconds
<b>Decibel rating:</b>	<70 dba
DISINFECTION	
<b>Recommended chemical:</b>	Aqua Clean
<b>Chemical dosing per cycle:</b>	17.6ml (adjustable to suit efficacy requirements)
ELECTRICAL	
<b>230V Voltage:</b>	230V / 50Hz with dedicated 13A breaker
<b>Circuit protection:</b>	30mA RCD, GFI, IEC60364 compliant
<b>Rated Power Input:</b>	1.4 kW
Water	
<b>Water connection:</b>	3/4" BSP male fitting required (washing machine hose)
<b>Water pressure:</b>	Cold water supply pressure 1 to 6 bar
<b>Water tank capacity:</b>	14L
<b>Water consumption per cycle:</b>	From 13L
<b>Waste connection:</b>	38mm ID (1.5"), 50mm ID (2"), 75mm ID (3"),
<b>Overflow connection:</b>	Internal overflow system
<b>Waste Height:</b>	137mm to 292mm - See Installation Preparation Guide for full details.

\*Specifications correct at time of print

# Dimensions



	Millimetres
<b>A</b>	1400
<b>B</b>	1040
<b>C</b>	623
<b>D</b>	500

# DDC



Certificate Number 1151  
9001/14001

